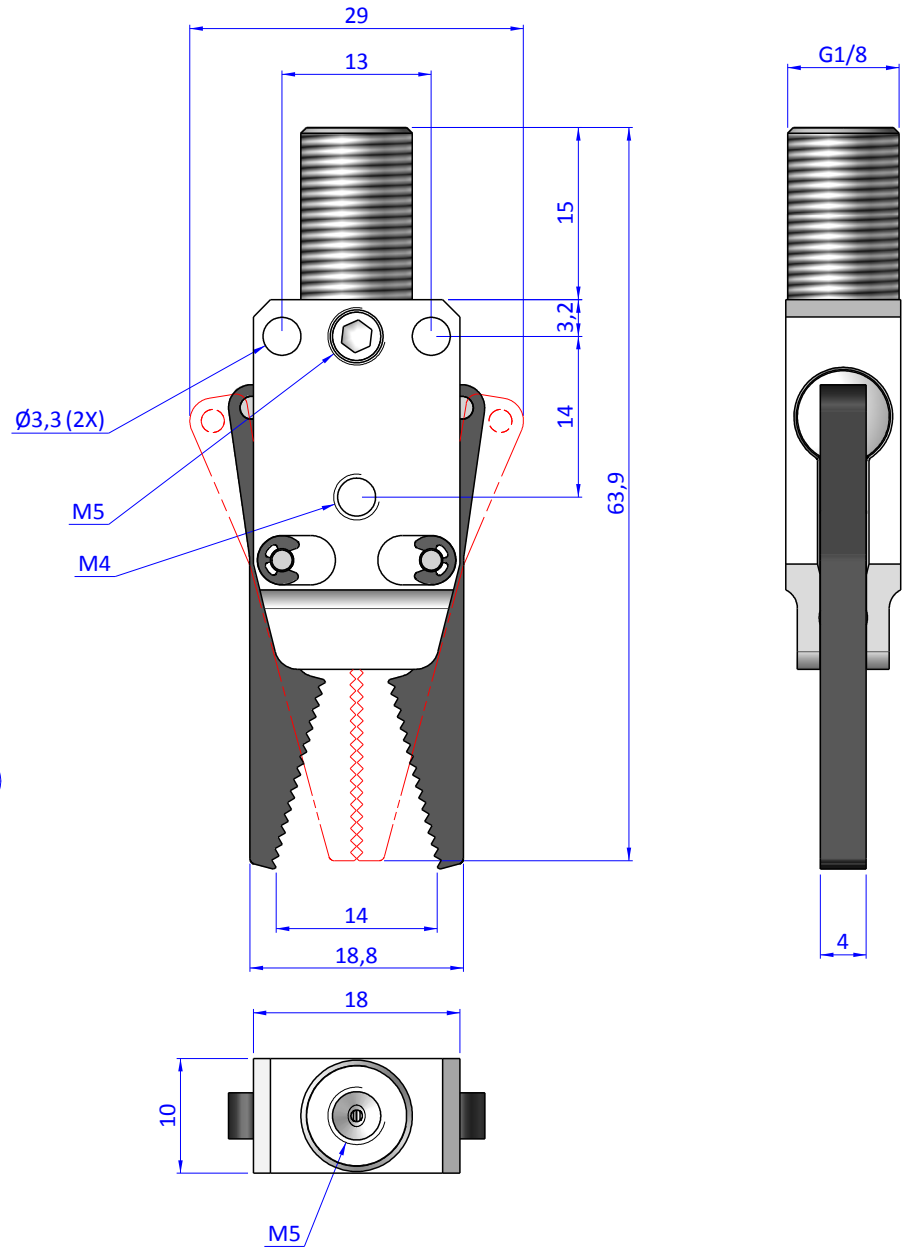
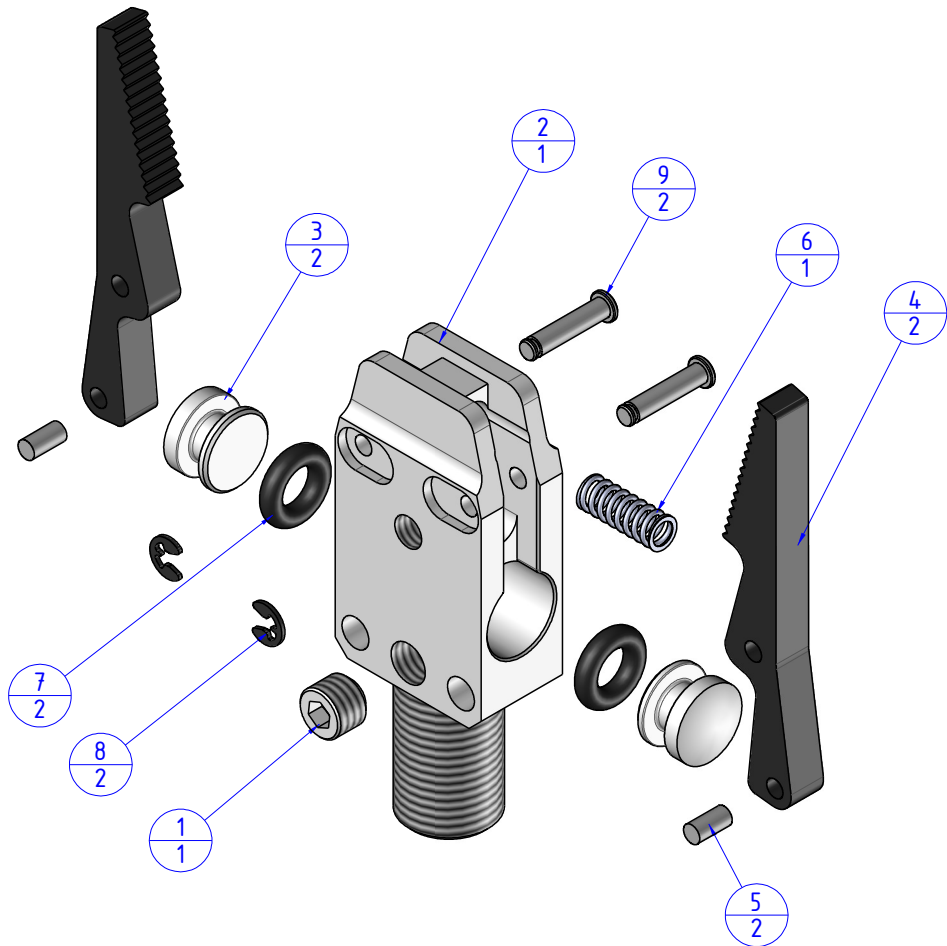



THE PROPERTY OF THE DRAWING IS ESTABLISHED BY LAW. IT IS FORBIDDEN TO PRODUCE OR SHOW IT TO THIRD PARTY, WITHOUT A WRITTEN AGREEMENT.

| Item | Name           | Qty. |
|------|----------------|------|
| 1    | GR.5X4         | 1    |
| 2    | GZA.10.08.1.18 | 1    |
| 3    | GZA.10.08.2    | 2    |
| 4    | GZA.10.08.3    | 2    |
| 5    | GZA.10.08.9    | 2    |
| 6    | M.MP13X3.5D.5  | 1    |
| 7    | ORM.4x2        | 2    |
| 8    | A.ELA.RA1.5    | 2    |
| 9    | SP.2x10SS      | 2    |



Format A3

UNI 936-76

|  |  |                 |         |                 |
|--|--|-----------------|---------|-----------------|
| <br><b>FPS</b><br>FPSERVICES AUTOMATION |  | DESIGNED FROM   |         | REVIEW          |
|  |  | FPS Automation  |         | A               |
| GENERAL TOLERANCE  |  | DATE            | WEIGHT  |                 |
| UNI - ISO 2768   |  | 21/03/2019      | 0,016kg |                 |
| CLASSE F   |  | CODE            |         |                 |
|  |  | CA.GZA.10.08.18 |         | CA.GZA.10.08.18 |